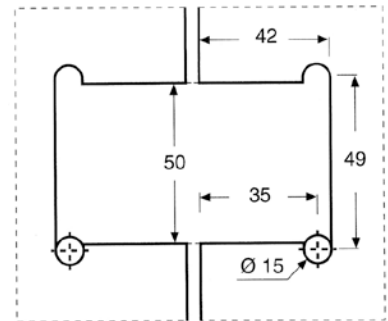
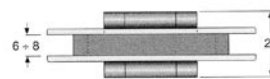
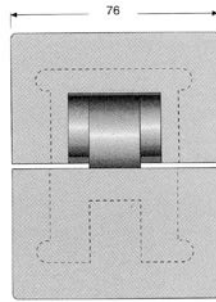
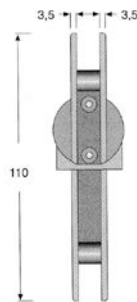
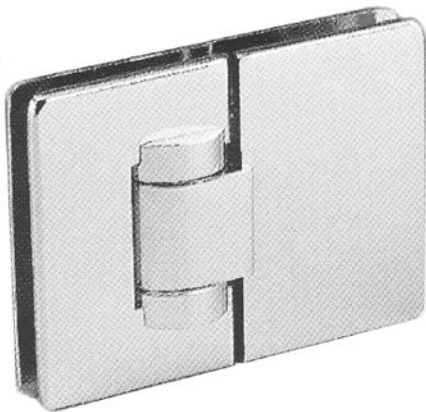
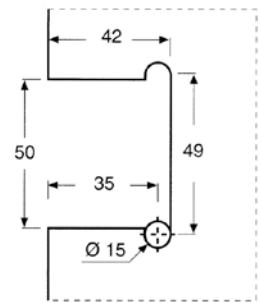
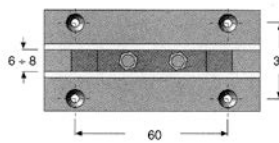
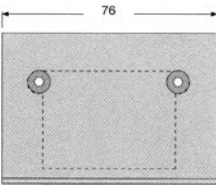
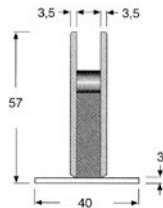
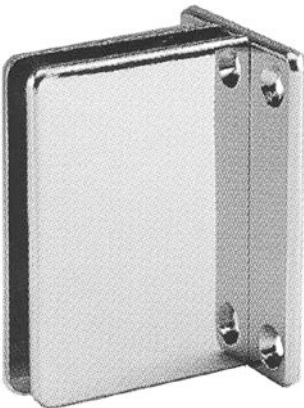


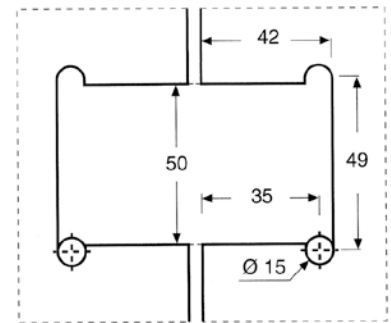
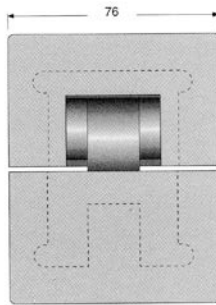
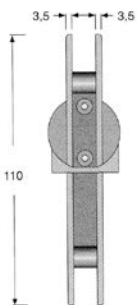
# 82.148 hinge, replacing #82.150 hinge  
all brass, chrome plated; with stop at 90 and 180 degree For max. 3/8" glass or Plexiglas



# 82.149 chrome plated brass glass to glass hinge for max. 3/8" glass thickness



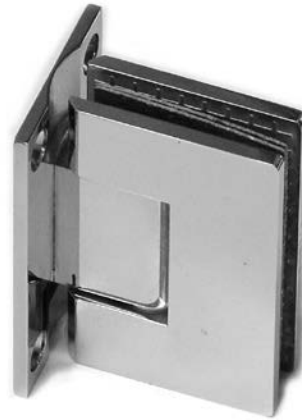
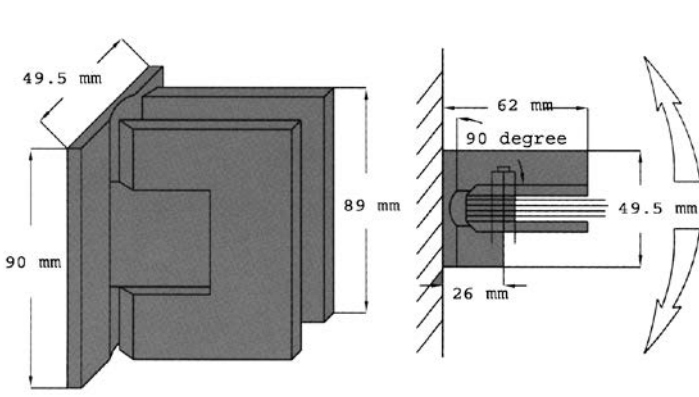
# 82.147 chrome plated brass glass to wall bracket for max. 3/8" glass thickness



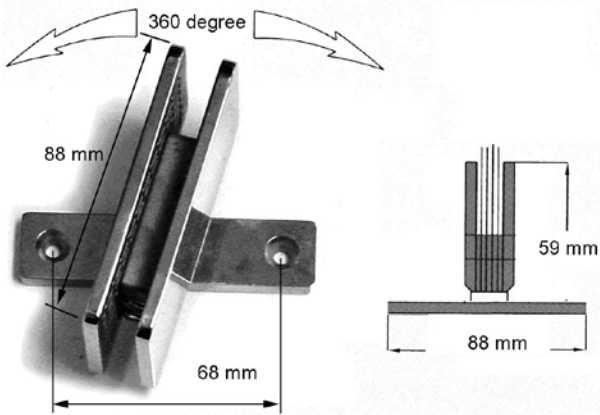
# 82.149 A chrome plated brass glass to glass hinge 135 degree for max. 3/8" glass thickness



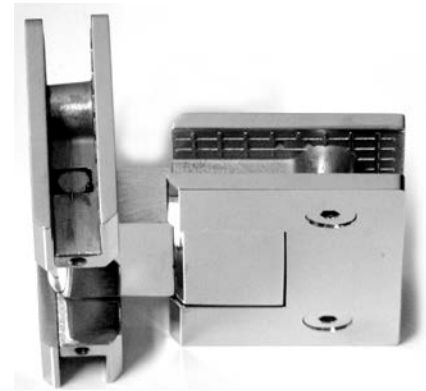
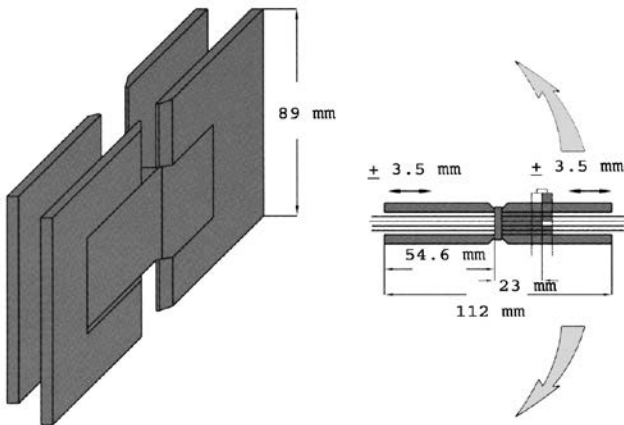
**MIRROR POLISHED 316L STAINLESS STEEL** also available in **Satin Stainless Steel**



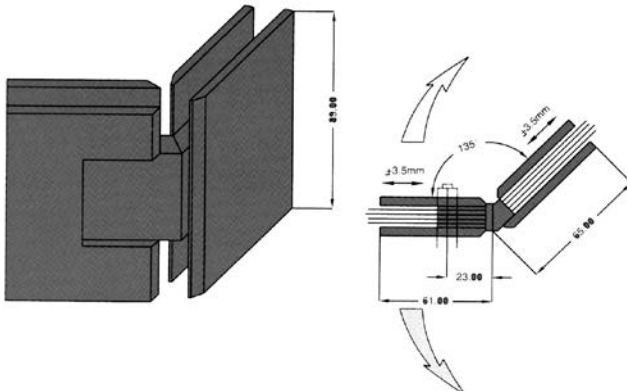
**#85.112**; 90 degree angle glass hinge on plate; for 10 to 12 mm -3/8 to 1/2 inch glass; leaf: 89 x 58 mm; (3 1/2 x 2 1/4 inch) Plate: 90 x 49.5 mm (3 1/2 x 1 15/16 inch)



**#85.726**; 360 degree swivel hinge; floor and ceiling mounting, glass 10 to 12 mm -3/8 to 1/2 inch glass; leaf: 88 x 59 mm; (3 1/2 x 2 1/4 inch) Plate 21 x 88 x 8 mm



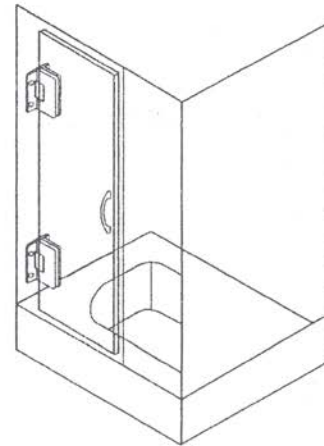
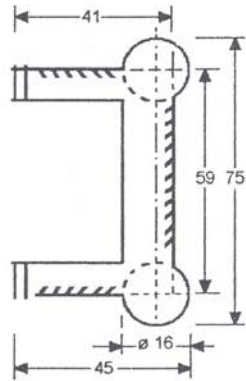
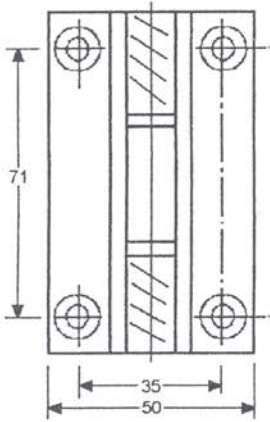
**#85.121**; Flush glass hinge for 10 to 12 mm -3/8 to 1/2 inch glass; leaf: 89 x 54.6 mm; (3 1/2 x 2 1/8 inch) total length 112 mm (4 inch)



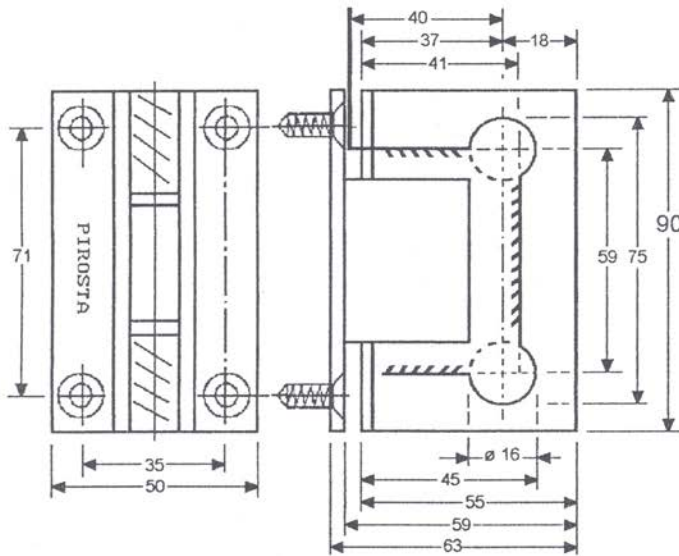
**#85.109**; 135 degree glass hinge for 10 to 12 mm -3/8 to 1/2 inch glass; leaf: 89 x 61 x 65 mm; (3 1/2 x 2 3/8 x 2 1/2 inch)



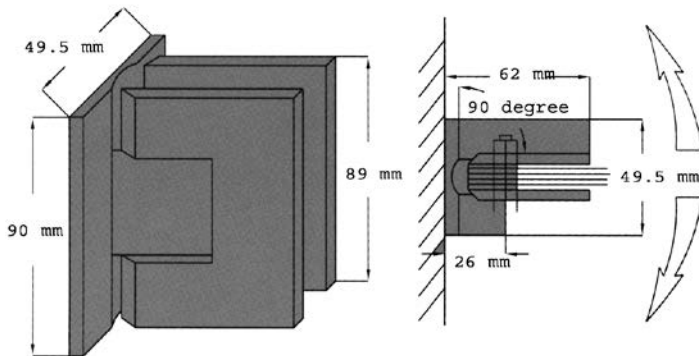
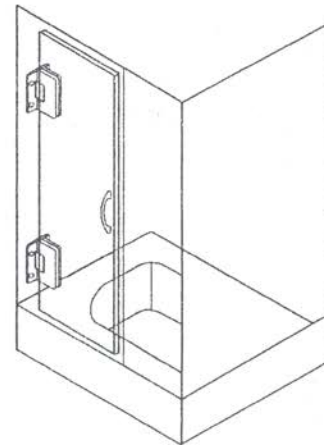
Cut outs for #85.112 hinge



cutout glass



A4  
316



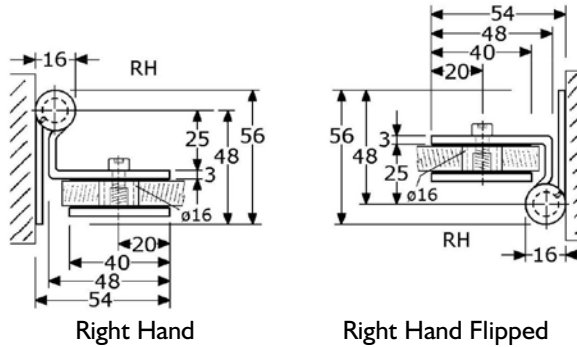
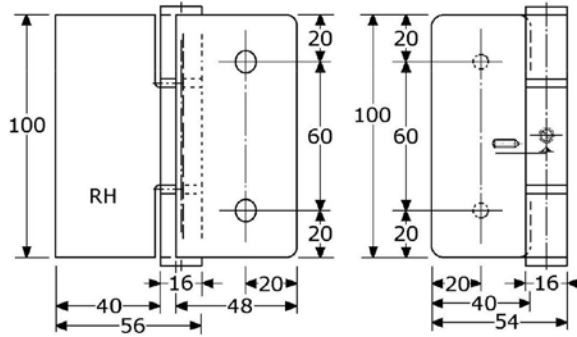
#85.112; 90 degree angle glass hinge on plate; 316 stainless steel glass hinges  
For 10 to 12 mm -3/8 to 1/2 inch glass; leaf: 89 x 58 mm; (3 1/2 x 2 1/4 inch)  
Plate: 90 x 49.5 mm (3 1/2 x 1 15/16 inch)







#86.274 Right Hand (DIN)



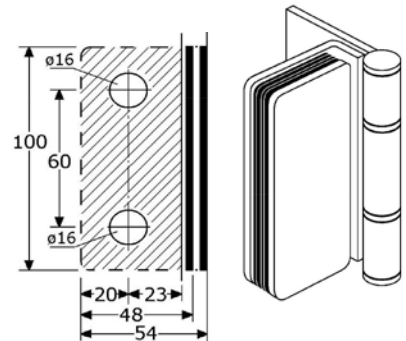
**Special Order Only**  
**Items below are non stocking items:**

- 316 Stainless steel hinge for glass or Plexiglas.
- Thickness: from 1/4", 3/8", 1/2 to 5/8" thick
- Specify finish:  
S satin polished 316 stainless steel  
M mirror polished 316 stainless steel

**#86.273 LH Glass Door Hinge**

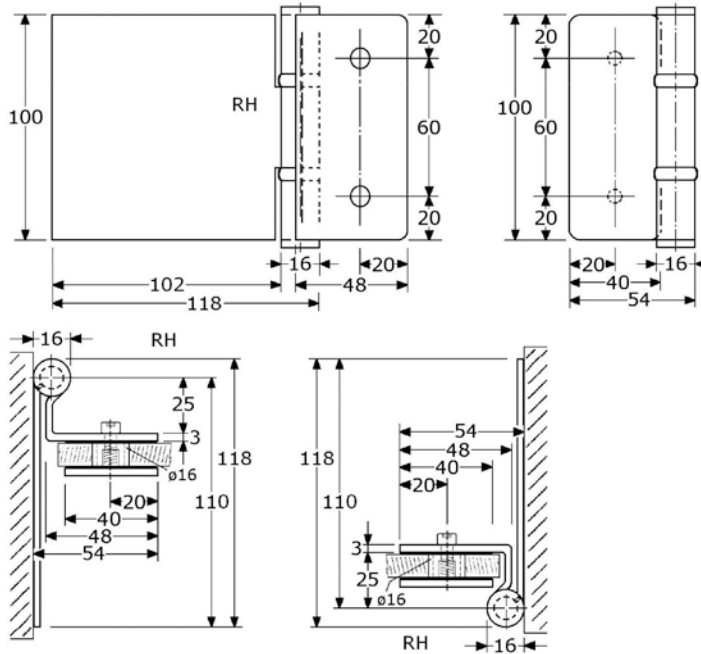
**#86.274 RH Glass Door Hinge**

No holes on frame leaf.  
For 1/4 to 5/8" glass or Plexiglas  
Size: 100 x 48 x 48 mm  
Pin 10 mm diameter (3/8")  
316 stainless steel  
Indication: Max weight door:  
using two hinges: 45 kg / 100 lbs.  
using three hinges: 63 kg / 140 lbs.



Glass cut out diagram.

#86.274 Right Hand (DIN) and #86.273 Left Hand (DIN) Glass Door Hinge without holes for frame mounting

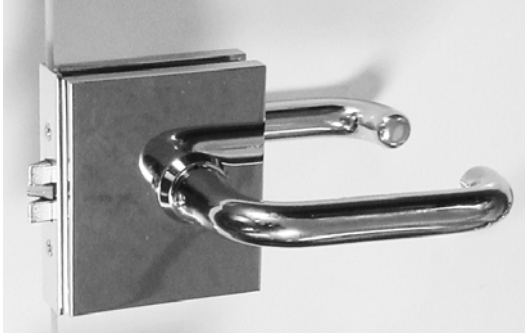


#86.276 Right Hand (DIN) and #86.275 Left Hand (DIN) Glass Door Hinge without holes with **304 Stainless Steel Ball Bearings**

# Exclusive Glass Door Hardware by Izerwaren.Com

## BRASS PLATED GLASS DOOR LATCHES

for 3/8 to 1/2 inch thick glass



#82.511 Shower door latch;

For medium size cabin doors and shower doors

Material: Brass, Chrome Plated finish

Lever sold separate: #12.045; See pages 8-2-C-1 to C-7



#82.1124 Strike Box



Latch #82.511 with levers #12.045  
For 3/8 inch thick glass

## 316 STAINLESS STEEL GLASS DOOR HINGES

for 3/8 to 1/2 inch thick glass

See page 8-5-1

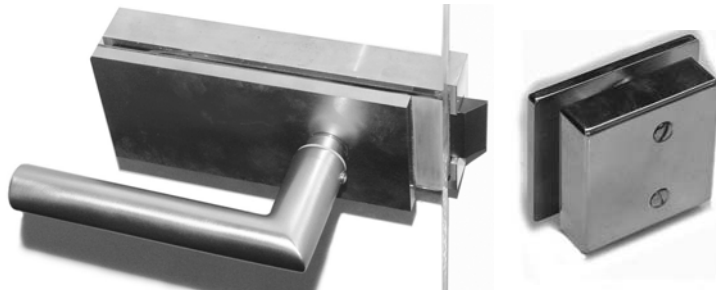


#82.755 set with strike box;  
for light duty and small size doors  
chrome plated brass

Lever depicted: #18.740 sold separately. See page 8-2-F-0



Wall to glass hinge #85.112  
316 Stainless steel



#84.D51 Latch SET exterior grade with strike box #84.D30

Satin chrome plated finish with satin stainless steel levers  
for **full size door** marine and shower door applications

Lever #12.576 depicted. See page 8-5-5 and 8-5-6



Glass to glass #85.121  
316 Stainless steel



#85.719 Glass clamping bracket Various sizes  
Material: stainless steel, Satin or Mirror Polished.



45 degree glass to glass #85.109  
316 Stainless steel



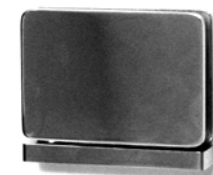
#82.148

#82.149

#82.147

#82.149A

Brass chrome plated, spring loaded; 76 mm high. See Page 8-2-D.



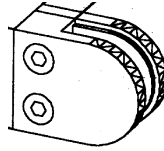
Pivot hinge #85.926  
316 Stainless steel



- Glass Clamps for glass or Plexiglas
- 1/4" 3/8" or 1/2" thick
- Specify finish:  
S=Satin polished stainless steel  
M=Mirror polished stainless steel

**Clamping model glass bracket small  
satin finish #85.199S  
mirror polished #85.199M**

For 1/4" glass or Plexiglas  
Size: 29Lx24Wx10 mm; with radius  
With black soft plastic inserts  
304 stainless steel  
for flat surface mounting



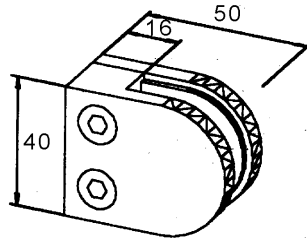
#85.199 glass wall bracket  
24 mm high x 29 mm long  
1" x 1 1/8"



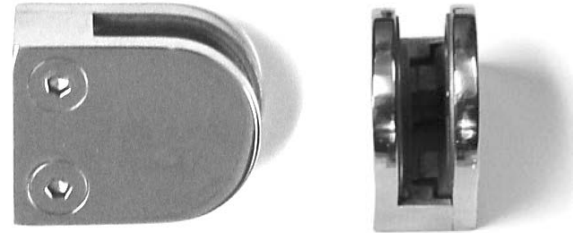
glass wall bracket #85.199  
24 mm high x 29 mm long 1" x 1 1/8"

**Clamping model glass bracket  
satin finish #85.S71S  
mirror polished #85.S19M**

For 3/8" glass or Plexiglas 8-10 mm  
Size: 63Lx45Wx16 mm;  
With black soft plastic inserts  
304 stainless steel  
for flat surface mounting



#85.S71 glass wall bracket  
40 mm high x 50 mm long  
1 7/16" x 2"

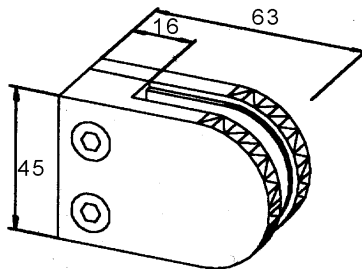


glass wall bracket #85.S71  
40 mm high x 50 mm long 1 7/16" x 2"

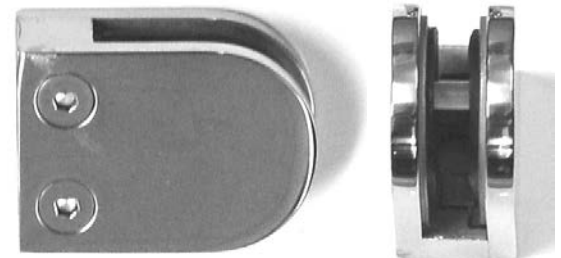
ALSO AVAILABLE FOR  
1/4" GLASS (6MM)

**Clamping model glass bracket big  
satin finish #85.719S  
mirror polished #85.719M**

For 3/8" glass or Plexiglas  
Size: 50Lx40Wx16 mm;  
With black soft plastic inserts  
304 stainless steel  
for flat surface mounting



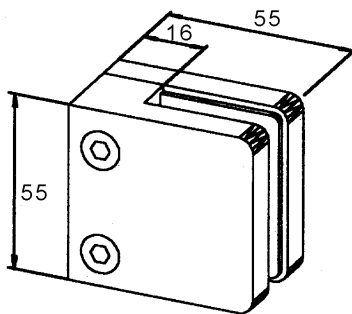
#85.719 glass wall bracket  
45 mm high x 63 mm long 1 3/4" x 2.5"



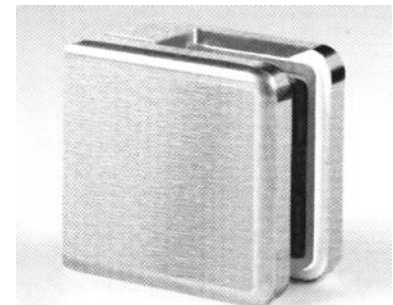
glass wall bracket #86.719  
45 mm high x 63 mm long 1 3/4" x 2.5"

**Clamping model glass bracket square  
satin finish #85.S21S  
mirror polished #85.S21M**

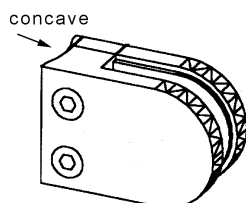
For 3/8" glass or Plexiglas  
Size: 55L x 55W mm;  
With black soft plastic inserts  
304 stainless steel  
for flat surface mounting



#85.S21 glass wall bracket  
55 x 55 mm  
2 3/16" x 2 3/16"



glass wall bracket #85.S21  
55 x 55 mm 2 3/16" x 2 3/16"



All sizes available with concave back  
for tube mounting

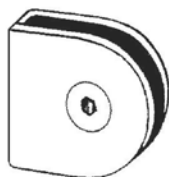


mirror polished finish



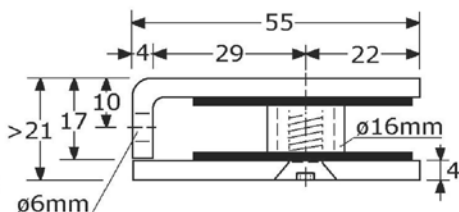


**GLASS CLAMPS - PANEL CLAMPS , stainless steel**

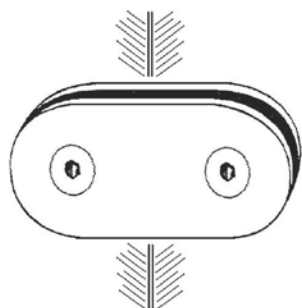


**85.7201**

wall glass clamp for flat wall mounting  
stainless steel 304/A2 satin polished  
front: without screw holes (nothing to see)  
back: 1x hexagon socket countersunk screw M6  
with black rubber packing  
for 8-10-12mm glass  
for 8-13mm TRESPA-plate  
glass: 1x hole  $\varnothing 16\text{mm}$  necessary,  
1x nylon bush  $\varnothing 15\text{mm}$  for nock  $\varnothing 11\text{mm}$   
rounded clamp, high 50mm, length 55mm  
wall mounting with 2 holes  $\varnothing 6\text{mm}$  c.t.c. 25mm  
in boxes of 10 Pcs.

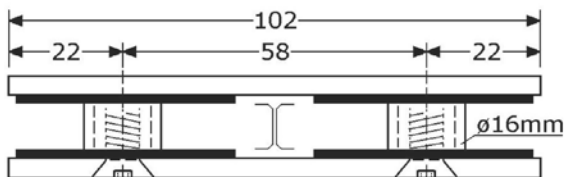


please give up your glass thickness



**85.7203**

glass clamp for glass-glass in line 180°  
stainless steel 304/A2 satin polished  
front: without screw holes (nothing to see)  
back: 2x hexagon socket countersunk screws M6  
with black rubber packing  
for 8-10-12mm glass  
for 8-13mm TRESPA-plate  
glass: 2x hole  $\varnothing 16\text{mm}$  c.t.c. 58mm necessary,  
2x nylon bush  $\varnothing 15\text{mm}$  for nock  $\varnothing 11\text{mm}$   
rounded clamp, high 50mm, length 102mm  
in boxes of 10 Pcs.

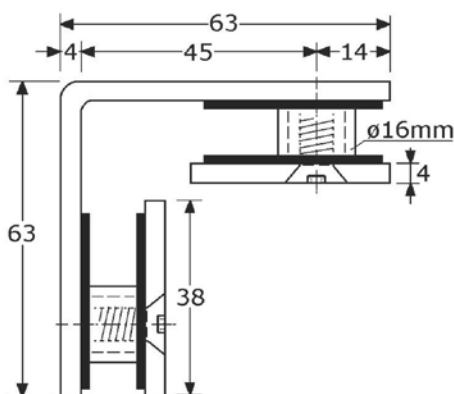


please give up your glass thickness



**85.7209**

glass clamp for glass-glass hook mounting 90°  
stainless steel 304/A2 satin polished  
front: without screw holes (nothing to see)  
back: 2x hexagon socket countersunk screws M6  
with black rubber packing  
for 8-10-12mm glass  
for 8-13mm TRESPA-plate  
glass: 2x hole  $\varnothing 16\text{mm}$  necessary,  
2x nylon bush  $\varnothing 15\text{mm}$  for nock  $\varnothing 11\text{mm}$   
rounded clamp, high 50mm, length 63+63mm  
in boxes of 10 Pcs.



please give up your glass thickness